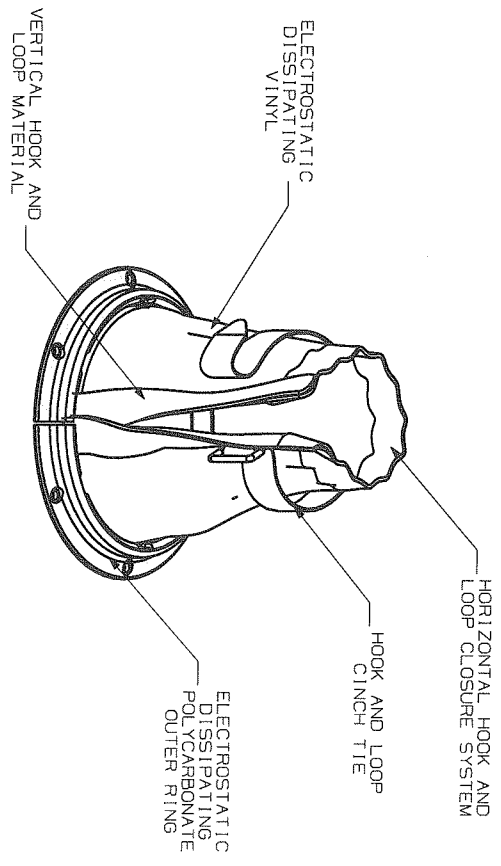
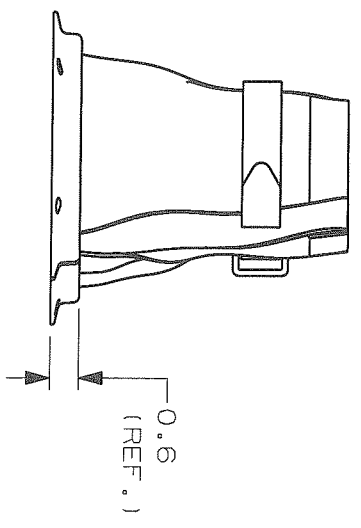
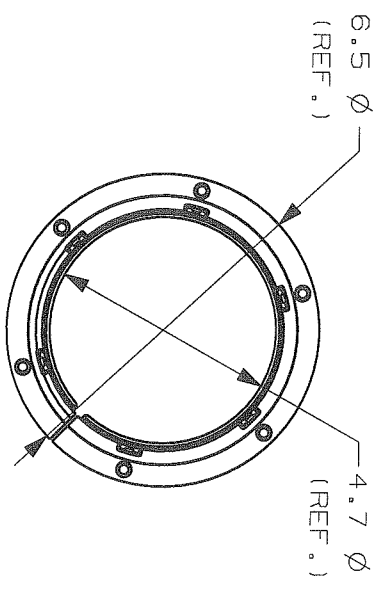


THIS COPY IS PROVIDED ON A RESTRICTED BASIS AND IS NOT TO BE USED IN ANY WAY DETRIMENTAL TO THE INTERESTS OF PANDUIT CORP.



NOTE:
1) PRODUCT INCLUDES PHILLIPS PANHEAD SELF-DRILL SCREWS, #6 x 5/8", (QTY 6).

REV	DATE	BY	CHK	DESCRIPTION
00B	08/15/08	ARHA	ARHA	ADDED "Y" PART NUMBER: CHANGED REV. STYLE.
R	01/18/08	ARHA		INITIAL RELEASE
				ECN - R
				CUST
				SUP

PANDUIT CORP. TINLEY PARK, ILLINOIS

RF65DSM(Y)

RAISED FLOOR GROMMET (SURFACE MOUNT)

DIMENSIONS IN BRACKETS ARE METRIC [mm]

CAD FILENAME/LAYERS: G03405VL_DC_GB3405VL/00B

UNLESS OTHERWISE SPECIFIED, DIMENSIONAL TOLERANCES ARE:
(.X) ±0.1 (2.5) (.XXX) ±0.010 (0.25) (XX) ±0.02 (0.5) ANGLES ±5°

UNLESS OTHERWISE SPECIFIED, ALL DIMENSIONS ARE GIVEN IN INCHES, THIRD ANGLE PROJECTION.

SCALE: 1:4

DRAWING NO.: GB3405VL

DWG SIZE: A

DATE: 01/18/08

CHK'D: ARHA

DATE: 01/18/08

CHK'D: KLV

DATE: 01/18/08

CHK'D: KLV